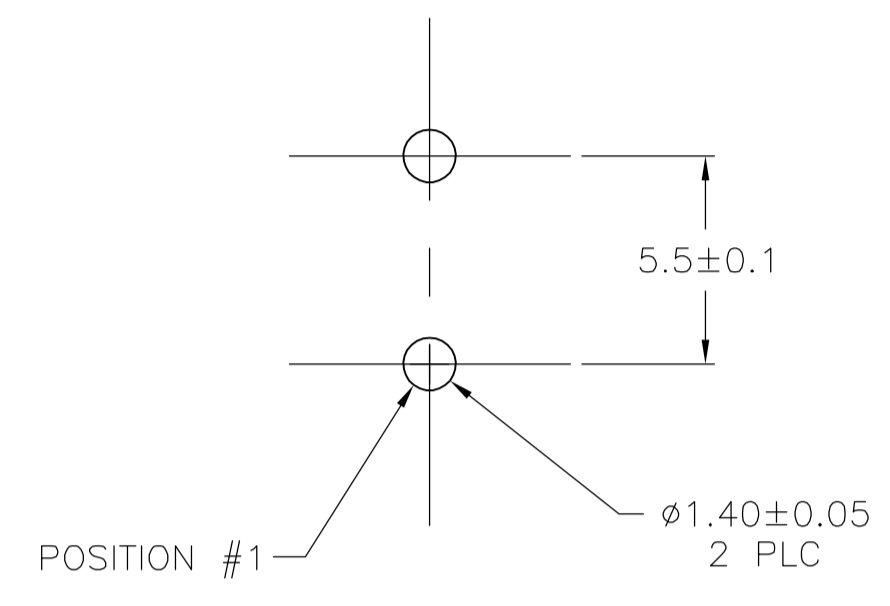
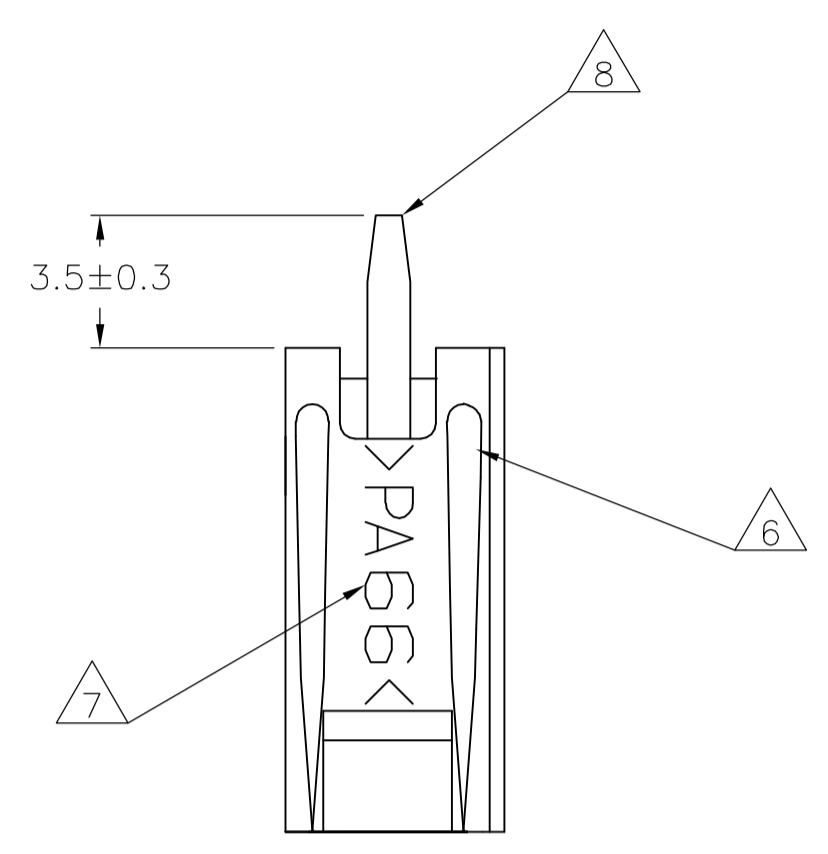
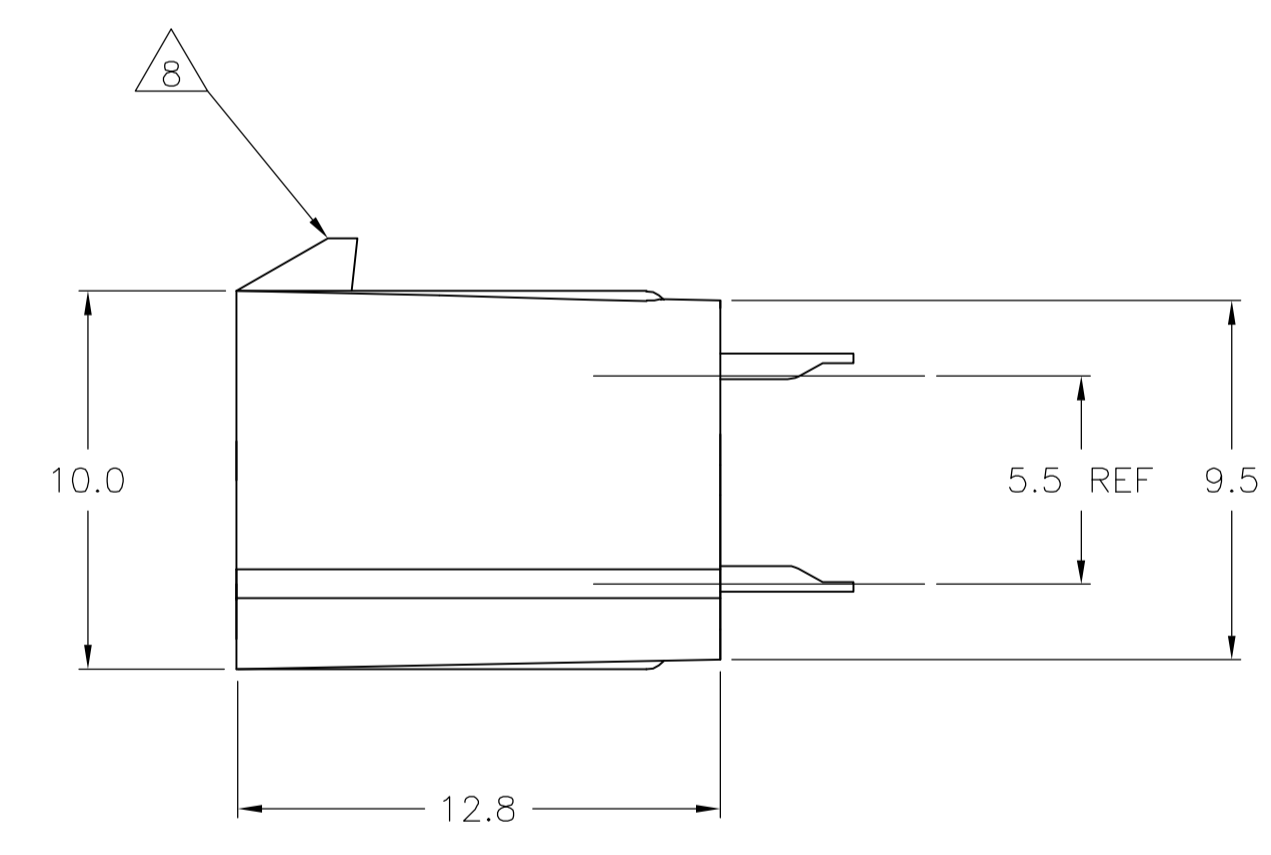
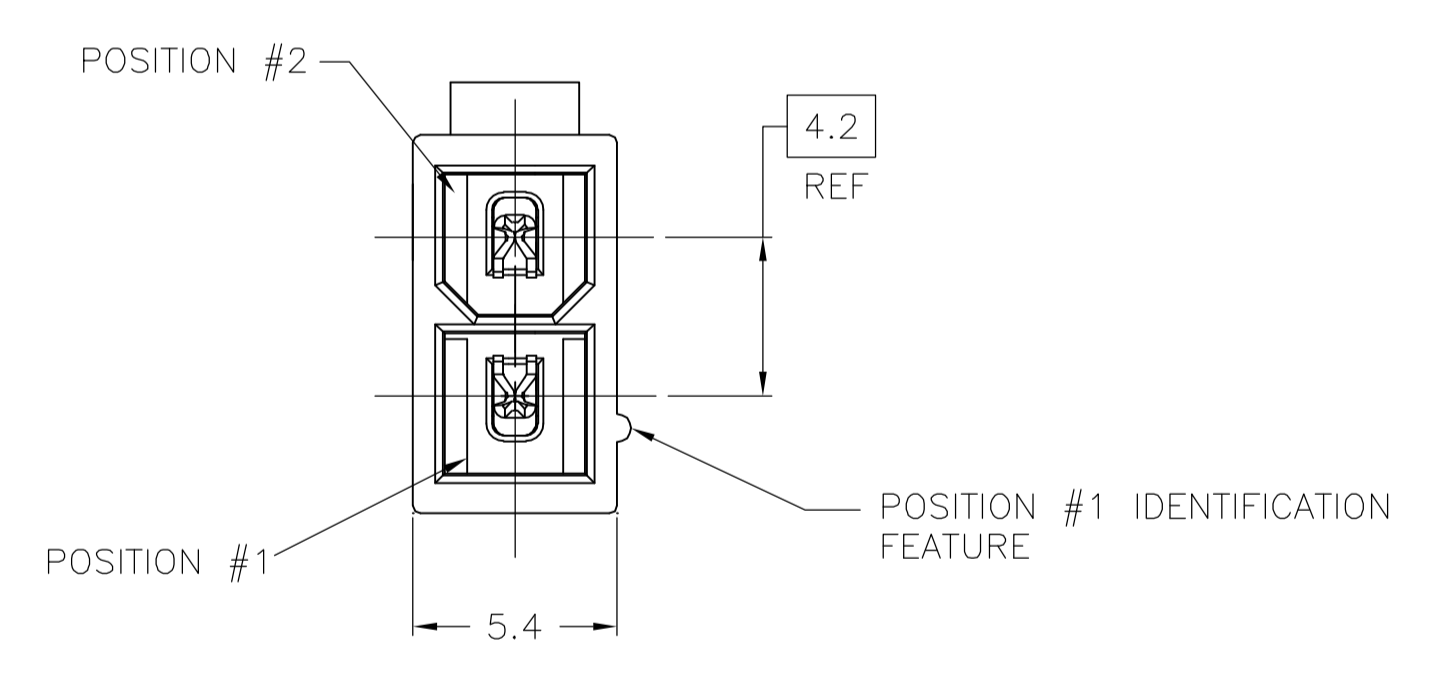


LOC		DIST		REVISIONS			
P	LTR	DESCRIPTION	DATE	DNW	APVD		
C		ECO-06-013157	15JUN06	BSV	DC		



RECOMMENDED MOUNTING HOLE PATTERN
 FOR 1.78 MAX THICK P.C. BOARD
 COMPONENT SIDE SHOWN



- 1 MATERIAL:
HOUSING: NYLON, UL94V-2 (COLOR - NATURAL, COLOR OF PARTS MAY VARY).
CONTACTS: 0.25 THK COPPER ALLOY.
- 2 CONTACT FINISH: 0.003 MIN THK TIN-LEAD OVER 0.00127 MIN THK NICKEL OVER ENTIRE CONTACT.
- 3 CONTACT FINISH: 0.00076 MIN THK GOLD PLATE ON PIN MATING SURFACE, 0.003 MIN THK TIN-LEAD PLATE ON SOLDER TAIL, ALL OVER 0.00127 MIN THK NICKEL BASE PLATE.
- 4 SOLDER TAIL MEETS AMP SOLDERABILITY SPECIFICATION 109-11-2.
- 5 MATES WITH SIMILARLY PLATED AMP-DUAC™ POWER CONNECTORRECEPTACLEHOUSINGS/SOCKET CONTACTS.
- 6 RIBS ON FOUR CORNERS OPTIONAL.
- 7 AMP LOGO AND MATERIAL ID MAY BE LOCATED ON EITHER LONG SIDE OF PART.
- 8 SIZE, SHAPE OR STYLE OF THIS FEATURE MAY VARY.
- 9 CONTACT FINISH: 0.003 MIN THK TIN OVER 0.00127 MIN THK NICKEL OVER ENTIRE CONTACT.
- 10 CONTACT FINISH: 0.00076 MIN THK GOLD PLATE ON PIN MATING SURFACE, 0.003 MIN THK TIN PLATE ON SOLDER TAIL, ALL OVER 0.00127 MIN THK NICKEL BASE PLATE.

	1	10	1	1	1-794349-2
	1	9	1	1	1-794349-1
SUPERCEDED BY 1-794349-2	1	3	1	1	794349-2
SUPERCEDED BY 1-794349-1	1	2	1	1	794349-1
	MATERIAL	FINISH	MATERIAL	COLOR	PART NO

THIS DRAWING IS A CONTROLLED DOCUMENT.		DIN R VESTAL 03JUN98		Tyco Electronics Corporation Harrisburg, Pa 17105-3608	
DIMENSIONS: mm		CHK R SWING 03JUN98		APVD C CASH 03JUN98	NAME
TOLERANCES UNLESS OTHERWISE SPECIFIED:		PRODUCT SPEC		ASSEMBLY, HEADER, VERTICAL, 2 POSITION, W/ DRAIN HOLES, 94V-2, AMP-DUAC	
0 PLC ± -		APPLICATION SPEC		SIZE CAGE CODE DRAWING NO	
1 PLC ± 0.2		108-1699		RESTRICTED TO	
2 PLC ± 0.13		A1 00779 C=794349		WEIGHT	
3 PLC ± -		CUSTOMER DRAWING		SCALE 5:1 SHEET 1 OF 1 REV C	
4 PLC ± -					
ANGLES ± -					
FINISH SEE TABLE					